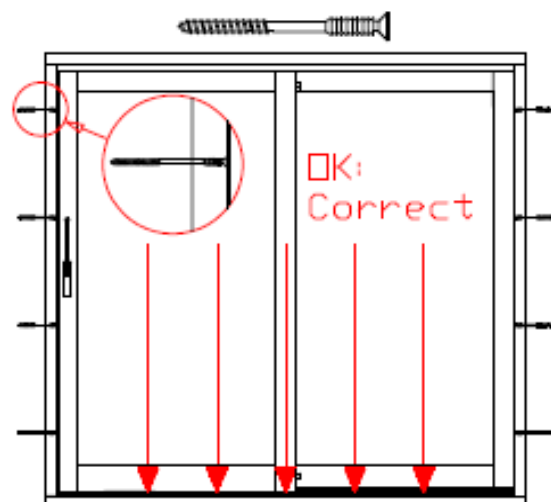


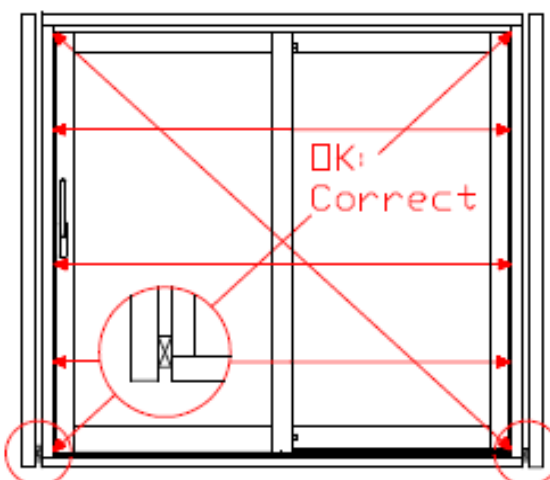
Important for installation!

① Use ProfIn adjust screw!



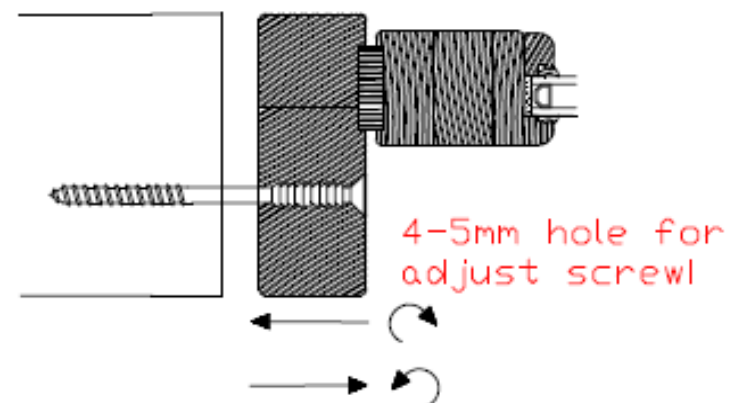
Important: Down frame has to be exactly straight!

②



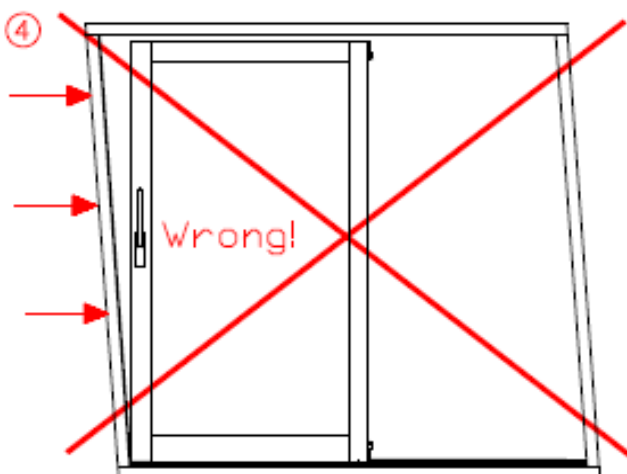
-Use filling wedge in the down corner!
-Cross measure has to be same!

③



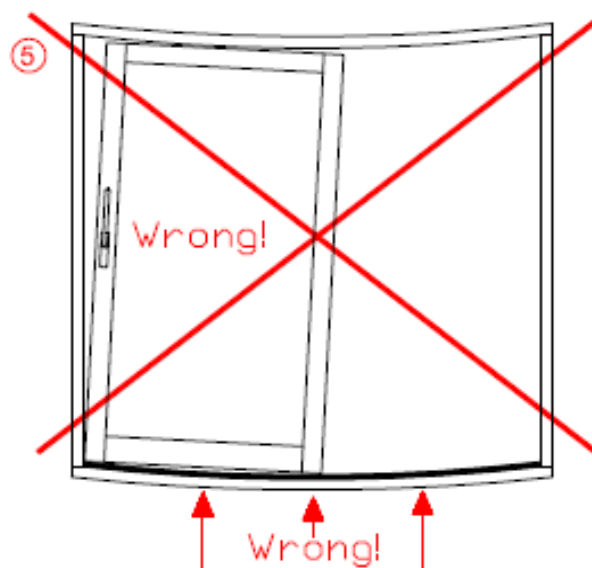
Use ProfIn adjust screw to bring the frame to the right position!

④



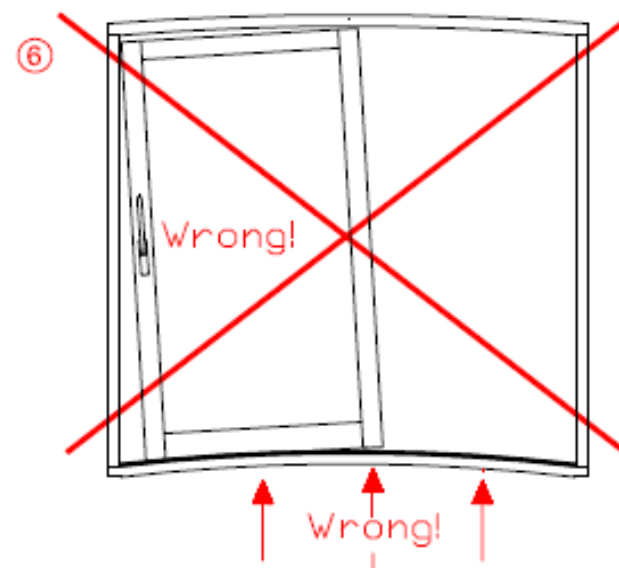
Side and down frame has to be exactly straight! (Pictures 4+5+6)

⑤



Wrong!

⑥



Wrong!